

Technical Data

- For use with HDPE pipes that comply with ISO 4427, EN12201 and DIN 8074.
- Connect to metal and plastic accessories with ISO 7, R;Rp.
- Are made from top quality raw materials approved for drinking water by Wq^c, DVGW and Kiwa.
- Allow easy and quick mounting without loss of parts.
- Are unbreakable, corrosion-resistant and resistant to most chemicals.
- Stand up to tough working conditions, pipe bending and pulling.
- Comply with International Standards.

Plassim Features

Threads - Special profile saw tooth design

- Can not cross thread
- Saw teeth resist pull out and prevent unscrewing due to vibration

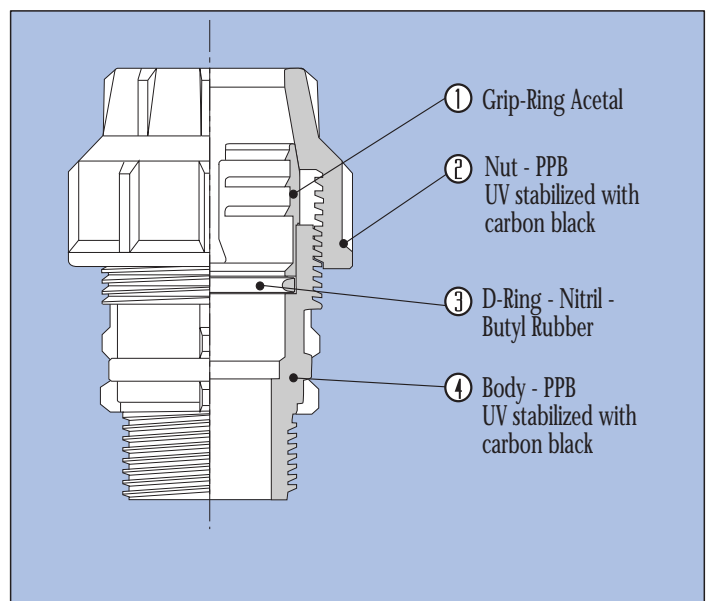
'D' Ring - Special profile

- Can not fall out of the fitting
- Will not twist when the pipe is inserted
- Makes fitting easy to dismantle
- Better to maintain, can be taken out and cleaned

Flexible grip ring

- Keeps the 'D' ring in place
- When the nut is removed, grip ring is completely free on the pipe
- Easy to remove, no tools needed
- Grips the pipe firmly, when the nut is tide up

Diameter Range	Nominal Pressure
16 - 63 mm	16 bar
75 - 110 mm	10 bar



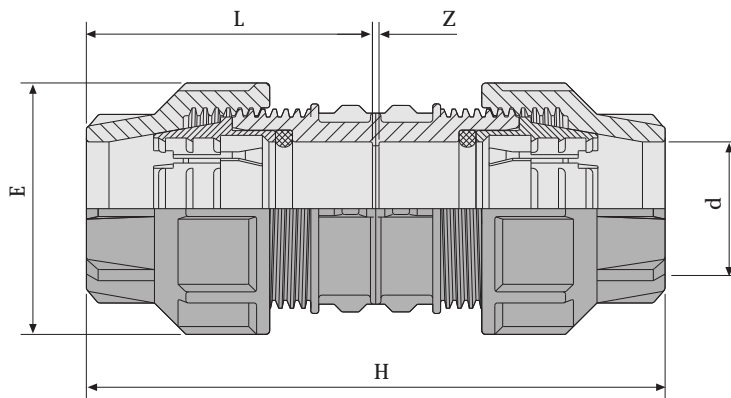
Maximum Working Temperature

Polypropylene	100°C
Acetal	80°C

Working Conditions for 50 Years Long Life

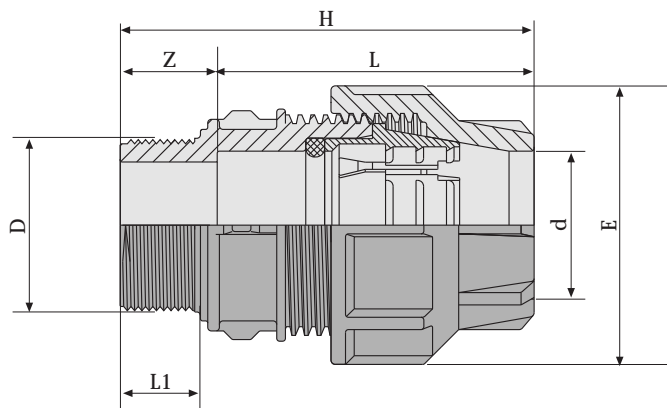
Working Temperature	Working Pressure
up to 23°C	16
40°C	7
60°C	4

Coupling



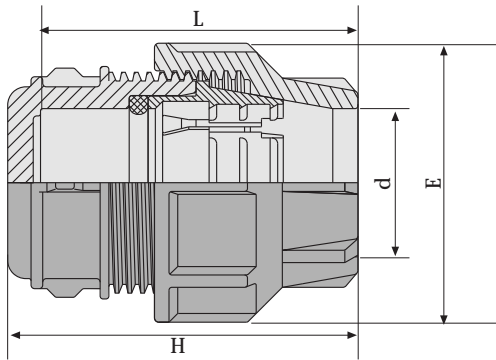
dxd	Cat.No	L	Z	H	E	Wgr
16x16	15016M0016	42.5	2.0	87.0	38	35
20x20	15020M0020	52.7	2.6	108.0	46	60
25x25	15025M0025	61.1	2.8	125.0	52	86
32x32	15032M0032	66.7	2.6	136.0	64	186
40x40	15040M0040	74.0	4.0	152.0	78	234
50x50	15050M0050	95.5	5.0	196.0	94	437
63x63	15063M0063	115.0	7.0	237.0	113	682
75x75	15075M0075	129.5	4.0	263.0	128	887
90x90	15090M0090	175.5	5.0	356.0	154	1694
110x110	15110M0110	197.5	7.0	402.0	182	3278

Male Coupling



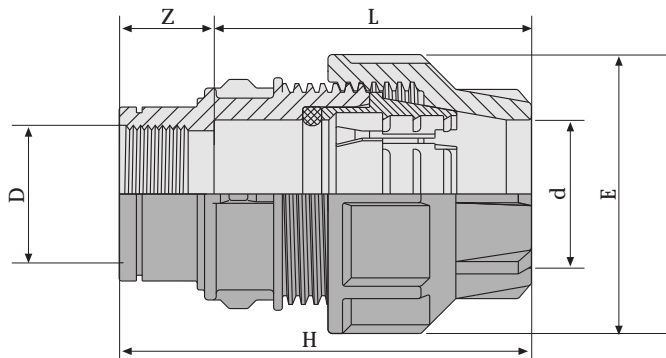
dxD	Cat.No	L	L1	Z	H	E	Wgr
16x1/2"	15016M0101	43	16	29	72	38	23
16x3/4"	15016M0102	43	18	31	74	38	27
20x1/2"	15020M0101	61	15	22	83	46	37
20x3/4"	15020M0102	61	17	24	85	46	38
20x1"	15020M0103	61	19.5	25	86	46	40
25x1/2"	15025M0101	68	18	24	92	52	59
25x3/4"	15025M0102	67	18	25	92	52	55
25x1"	15025M0103	66	22	29	95	52	55
32x3/4"	15032M0102	67	20.5	30	97	64	86
32x1"	15032M0103	66	25.5	36	102	64	89
32x1 1/4"	15032M0104	68	26.5	35	103	64	95
40x1"	15040M0103	64	22	44	108	78	133
40x1 1/4"	15040M0104	76	26	39	115	78	146
40x1 1/2"	15040M0105	75	26	40	115	78	150
40x2"	15040M0106	75	26	44	119	78	153
50x1 1/2"	15050M0105	97	26	39	136	94	254
50x2"	15050M0106	97	26	39	136	94	263
63x1 1/2"	15063M0105	113	22.5	37	150	113	398
63x2"	15063M0106	114	25	38	152	113	400
75x2"	15075M0106	130	33	42	172	128	512
75x2 1/2"	15075M0107	130	35	43	173	128	521
75x3"	15075M0108	129	35	44	173	128	524
90x2"	15090M0106	175	34	51	226	154	963
90x3"	15090M0108	175	37	55	230	154	980
110x3"	15110M0108	219	46	54	273	182	2015
110x4"	15110M0114	219	52	62	281	182	2052

Line End .



d	Cat.No	L	H	E	W _{gr}
20	15020S0120	59	64	46	35
25	15025S0120	60	74	52	49
32	15032S0120	67	76	64	87
40	15040S0120	95	101	78	143
50	15050S0120	98	123	94	254
63	15063S0120	114	125	113	382
75	15075S0120	130	145	128	499
90	15090S0120	177	229	154	1023
110	15110S0120	219	254	182	1991

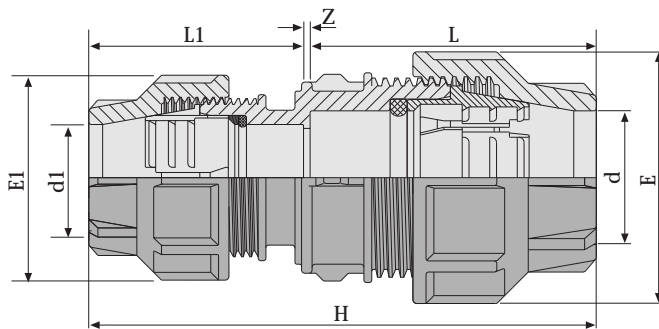
Female Coupling



dxD	Cat.No	L	Z	H	E	Wgr
16x1/2"	15016M0201	42	26	68	38	25
16x3/4"	15016M0202	41	30	71	37	28
20x1/2"	15020M0201	52	27	79	46	39
20x3/4"	15020M0202	50	35	85	46	45
25x3/4"	15025M0202	60	25	85	52	69
25x1"	15025M0203	59	36	95	52	63
32x3/4"	15032M0202	68	30	98	64	90
32x1"	15032M0203	68	30	98	64	92
* 32x1 1/4"	15032M0204	68	42	110	64	119
* 40x1 1/4"	15040M0204	76	35	111	78	157
* 40x1 1/2"	15040M0205	76	44	120	78	174
* 50x1 1/2"	15050M0205	98	38	136	94	272
* 50x2"	15050M0206	97	44	141	94	302
* 63x1 1/2"	15063M0205	114	32	146	113	405
* 63x2"	15063M0206	113	37	150	113	430
* 75x2"	15075M0206	130	36	166	128	529
* 75x2 1/2"	15075M0207	129	43	172	128	564
* 90x2"	15090M0206	175	52	227	154	976
* 90x3"	15090M0208	175	53	228	154	981
* 110x3"	15110M0208	219	63	282	182	2048
* 110x4"	15110M0214	219	63	282	182	2171

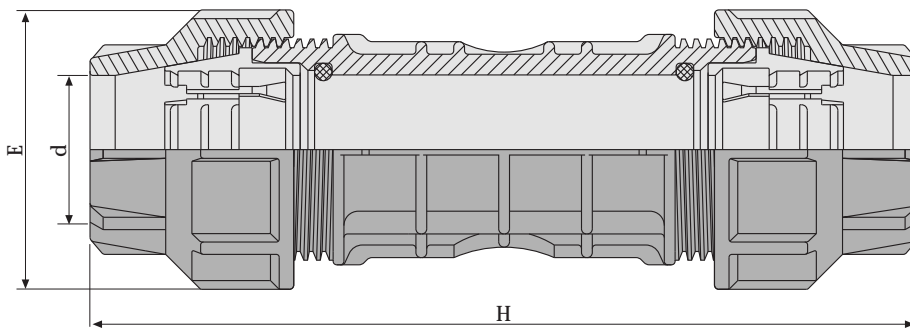
* with stainless steel ring

Reducing Coupling



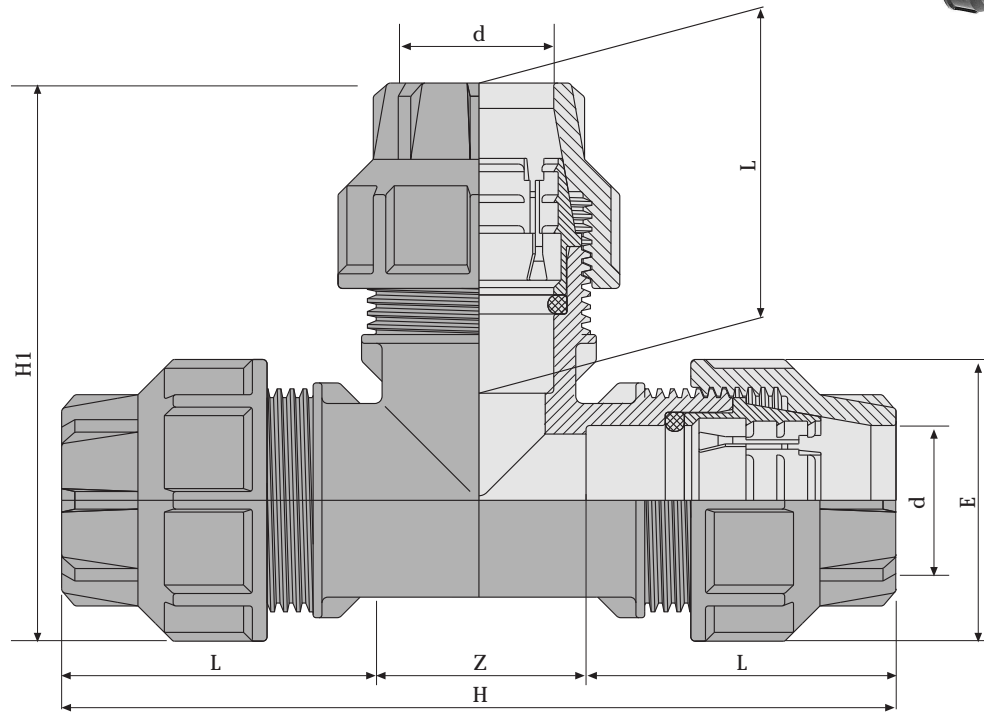
dxdl	Cat.No	L	L1	Z	H	E	E1	Wgr
20x16	15020D0016	58	42.0	2.0	102	46	38	50
25x16	15025D0016	65	42.0	2.0	109	52	38	65
25x20	15025D0020	65	49.0	2.0	116	52	46	76
32x20	15032D0020	66	54.5	1.5	122	64	46	105
32x25	15032D0025	66	63.0	2.0	131	64	52	121
40x25	15040D0025	75	58.0	2.0	135	78	52	166
40x32	15040D0032	75	73.5	2.5	143	78	64	191
50x25	15050D0025	96	59.0	3.0	158	94	52	274
50x32	15050D0032	96	68.0	2.0	166	94	64	300
50x40	15050D0040	96	72.5	6.5	175	94	78	345
63x32	15063D0032	114	68.0	7.0	189	113	64	441
63x40	15063D0040	114	72.0	6.0	192	113	78	487
63x50	15063D0050	114	96.0	6.0	216	113	94	573
75x32	15075D0032	128	77.0	3.0	208	128	64	537
75x40	15075D0040	128	80.5	2.5	211	128	78	580
75x50	15075D0050	128	94.0	6.0	228	128	94	672
75x63	15075D0063	128	108.5	4.5	240	128	113	757
110x90	15110D0090	219	168.0	8.0	395	182	154	2744

Repair Joiner



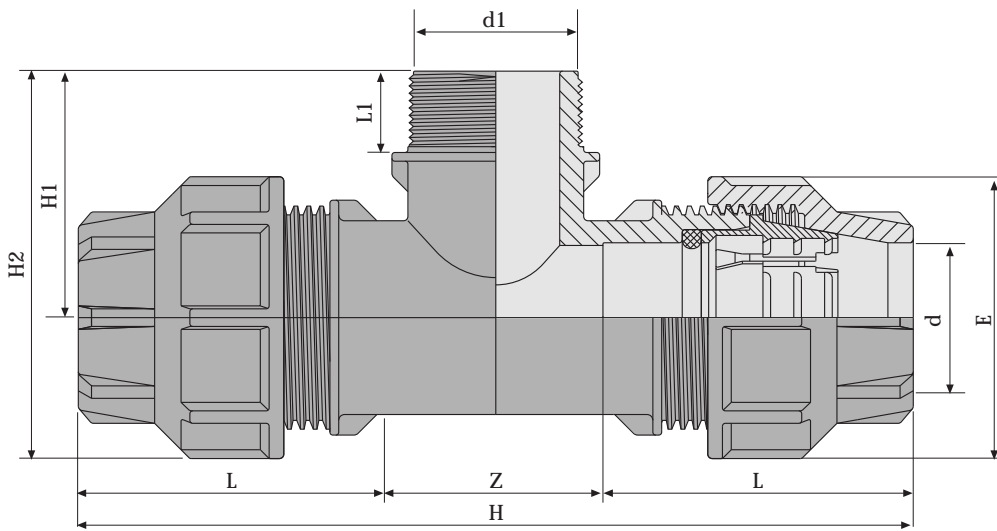
dx	Cat.No	H	E	Wgr
40x40	15040K0040	145	78	288
50x50	15050K0050	272	94	529
63x63	15063K0063	300	113	764
75x75	15075K0075	345	128	1087
90x90	15090K0090	353	154	1663
110x110	15110K0110	402	182	3278

Equal Tee 90°



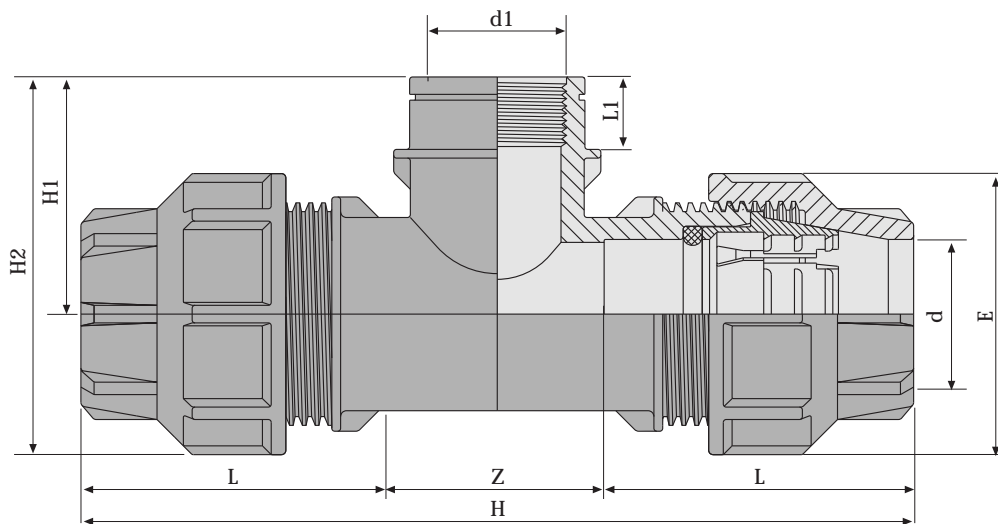
dxdxd	Cat.No	L	Z	H	H1	E	Wgr
16x16x16	15016T0016	45	20	110	73	38	56
20x20x20	15020T0020	54	24	132	89	46	101
25x25x25	15025T0025	60	30	150	102	52	137
32x32x32	15032T0032	72	42	186	125	64	250
40x40x40	15040T0040	75	62	212	146	78	429
50x50x50	15050T0050	96	72	264	180	94	765
63x63x63	15063T0063	109	80	298	204	113	1166
75x75x75	15075T0075	126	80	332	230	128	1494

Tee Male Thread 90°



dx dx	Cat.No	L	Z	H	E	L1	H1	H2	Wgr
16x1/2"x16	15016T0101	45	20	110	38	19	37	59	44
16x3/4"x16	15016T0102	45	20	110	38	22	40	62	47
20x1/2"x20	15020T0101	54	24	132	46	18	42	66	79
20x3/4"x20	15020T0102	54	24	132	46	20	45	68	78
25x1/2"x25	15025T0101	60	30	150	52	18	46	73	101
25x3/4"x25	15025T0102	60	30	150	52	20	48	75	106
25x1"x25	15025T0103	60	30	150	52	23	49	76	109
32x3/4"x32	15032T0102	72	42	186	64	20	60	93	182
32x1"x32	15032T0103	72	42	186	64	20	60	93	193
40x1 1/4"x40	15040T0104	75	62	212	78	26	72	113	325
40x1 1/2"x40	15040T0105	75	62	212	78	26	72	113	334
40x2"x40	15040T0106	75	62	212	78	26	72	113	340
50x1 1/4"x50	15050T0104	96	72	264	94	25	78	129	568
50x1 1/2"x50	15050T0105	96	72	264	94	26	78	129	571
50x2"x50	15050T0106	96	72	264	94	28	82	133	608
63x1 1/2"x63	15063T0105	109	80	298	113	24	83	141	825
63x2"x63	15063T0106	109	80	298	113	29	87	145	840
75x2x75	15075T0106	126	80	332	128	32	95	165	1116
75x2 1/2"x75	15075T0107	126	80	332	128	36	100	170	1186
75x3"x75	15075T0108	126	80	332	128	36	100	170	1130

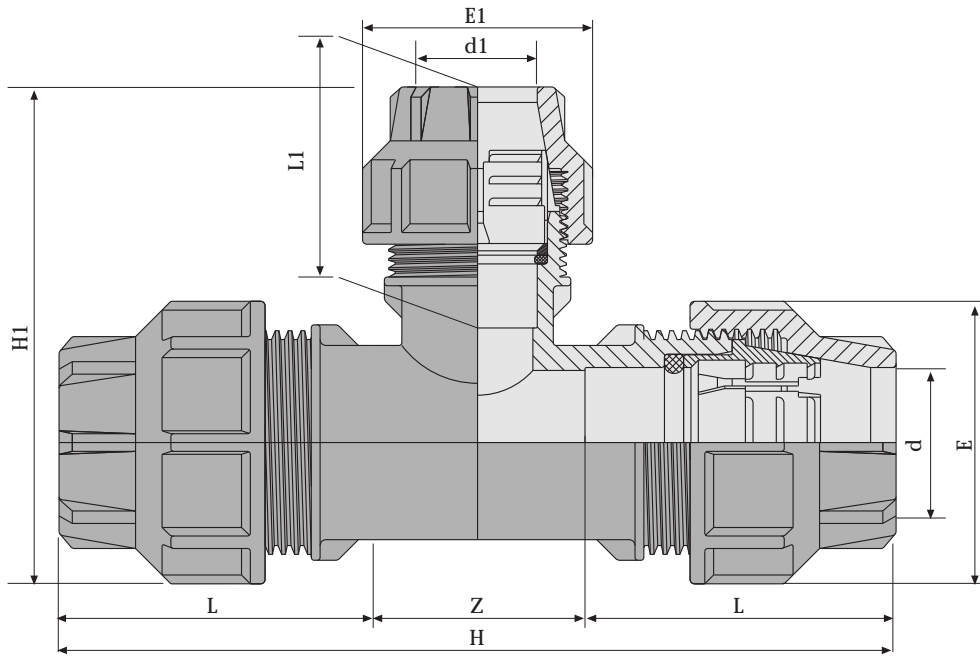
Tee Female Thread 90°



dxdxd	Cat.No	L	Z	H	E	L1	H1	H2	Wgr
16x1/2"x16	15016T0201	45	20	110	38	17	37	57	45
16x3/4"x16	15016T0202	45	20	110	38	18	40	59	50
20x1/2"x20	15020T0201	54	24	132	46	18	46	70	85
20x3/4"x20	15020T0202	54	24	132	46	18	46	70	85
25x1/2"x25	15025T0201	60	30	150	52	16	44	71	105
25x3/4"x25	15025T0202	60	30	150	52	19	46	73	110
25x1"x25	15025T0203	60	30	150	52	21	52	79	120
32x3/4"x32	15032T0202	72	42	186	64	19	58	85	180
32x1"x32	15032T0203	72	42	186	64	25	58	93	190
40x1"x40	15040T0203	75	62	212	78	22	72	110	330
*40x1 1/4"x40	15040T0204	75	62	212	78	24	69	113	345
*40x1 1/2"x40	15040T0205	75	62	212	78	24	73	113	365
*50x1 1/4"x50	15050T0204	96	72	264	94	24	79	128	590
*50x1 1/2"x50	15050T0205	96	72	264	94	24	73	131	605
*50x2"x50	15050T0206	96	72	264	94	26	85	134	640
*63x1 1/2"x63	15063T0205	109	80	298	113	26	85	143	855
*63x2"x63	15063T0206	109	80	298	113	28	87	143	885
*75x2x75	15075T0206	126	80	332	128	30	100	166	1150
*75x2 1/2"x75	15075T0207	126	80	332	128	31	100	166	1185
*75x3"x75	15075T0208	126	80	332	128	34	100	174	1195

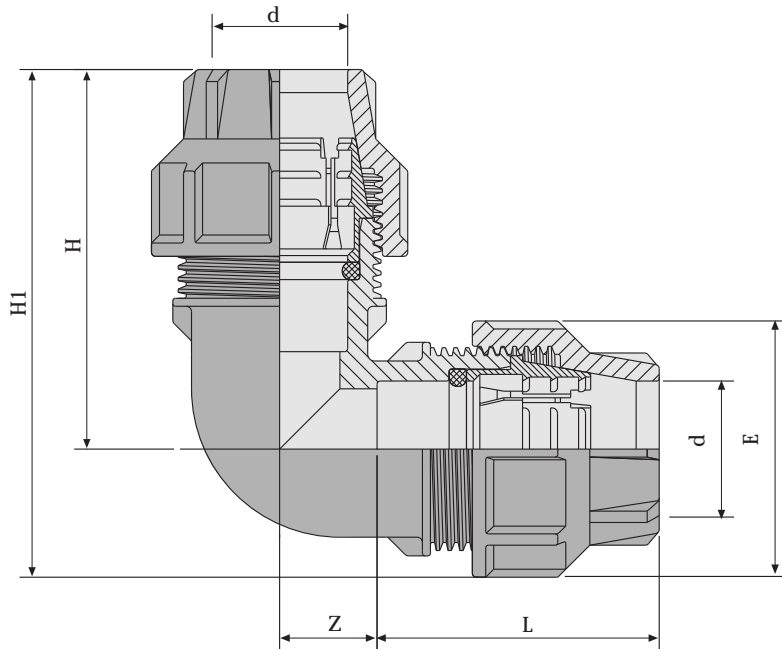
* with stainless steel ring

Reducing Tee 90°



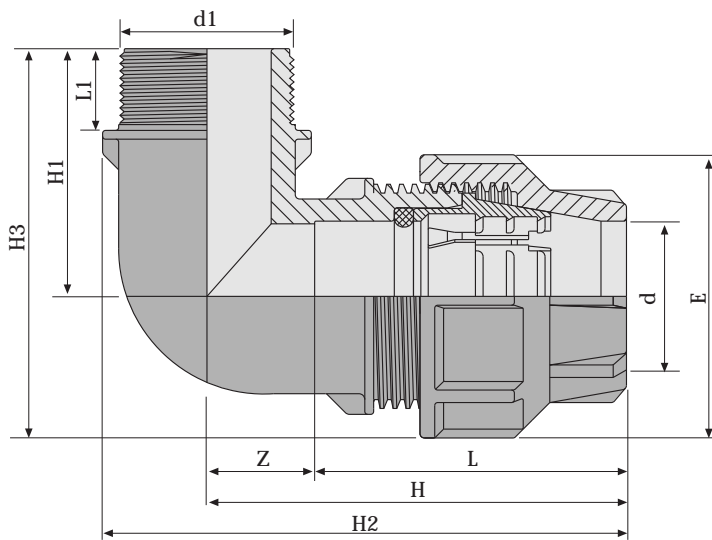
dx dx	Cat.No	L	Z	H	E	L1	H1	E1	Wgr
20x16x20	15020T0016	54	24	132	46	49	84	38	90
25x20x25	15025T0020	60	30	150	52	53	97	46	130
32x25x32	15032T0025	72	42	186	64	68	121	52	210
40x32x40	15040T0032	75	62	212	78	73	141	64	375
50x40x50	15050T0040	96	72	264	94	74	164	78	665
63x50x63	15063T0050	109	80	298	113	104	196	94	1000
75x65x75	15075T0063	126	80	332	128	113	218	113	1355

Elbow 90°



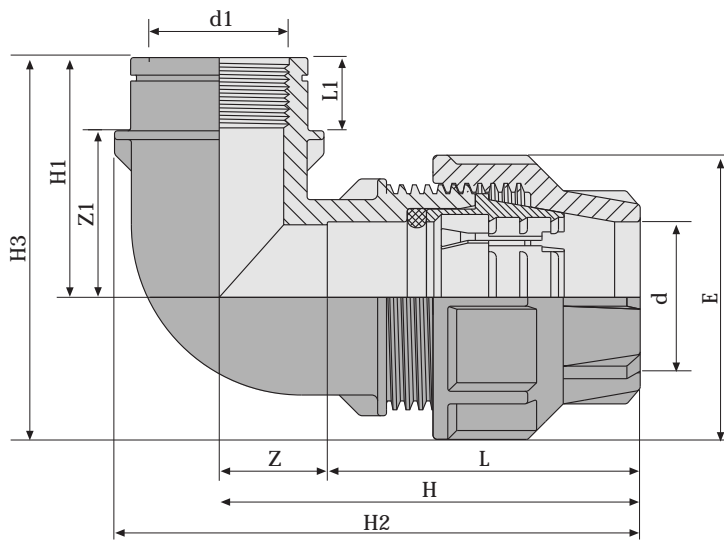
dx	d	Cat.No	L	Z	H	H1	E	Wgr
16	16	15016Z0016	45	20	53	73	38	40
20	20	15020Z0020	54	24	73	89	46	75
25	25	15025Z0025	60	30	82	102	52	100
32	32	15032Z0032	72	42	94	125	64	155
40	40	15040Z0040	75	62	108	146	78	290
50	50	15050Z0050	96	72	133	180	94	505
63	63	15063Z0063	109	80	159	204	113	805
75	75	15075Z0075	126	80	165	230	128	1015

Elbow 90° Male Thread



dxd1	Cat.No	L	Z	H	E	L1	H1	H2	H3	Wgr
16x1/2"	15016Z0101	45	9	54	38	16	41	71	59	25
16x3/4"	15016Z0102	45	9	54	38	18	43	71	62	30
20x1/2"	15020Z0101	52	18	70	46	16.5	48	89	72	45
20x3/4"	15020Z0102	52	18	70	46	19	50	89	74	50
25x1/2"	15025Z0101	61	21	82	52	20	55	104	82	60
25x3/4"	15025Z0102	61	21	82	52	18	55	102	83	65
25x1"	15025Z0103	61	21	82	52	21.5	59	102	85	65
32x3/4"	15032Z0102	66	26	92	64	20	59	117	93	95
32x1"	15032Z0103	66	26	92	64	20	59	117	93	100
40x1 1/4"	15040Z0104	74	30	104	78	24	69	130	108	190
40x1 1/2"	15040Z0105	74	30	104	78	24.5	69	135	111	195
40x2"	15040Z0106	74	30	104	78	26.5	73	135	113	210
50x1 1/2"	15050Z0105	96	35	131	94	25	85	166	134	325
50x2"	15050Z0106	96	35	131	94	25	85	171	134	350
63x2"	15063Z0106	113	44	157	113	30	105	194	162	490
75x2"	15075Z0106	127	38	165	128	27	102	204	166	625
75x2 1/2"	15075Z0107	127	38	165	128	33	106	210	172	690
75x3"	15075Z0108	127	38	165	128	32	106	219	170	705

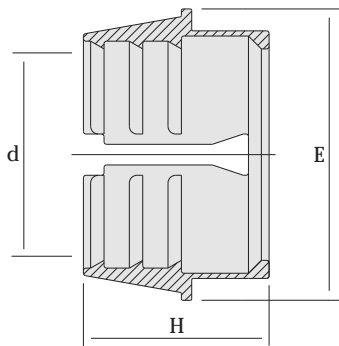
Elbow 90° Female Thread



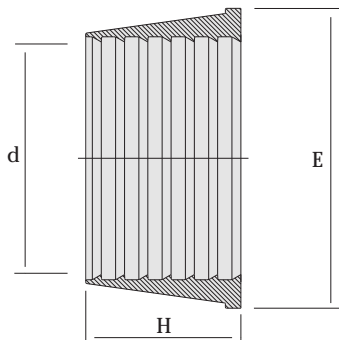
dx d1	Cat.No	L	Z	H	E	L1	Z1	H1	H2	H3	Wgr
16x1/2"	15016Z0201	45	10	55	38	17	21	38	70	56	30
16x3/4"	15016Z0202	45	10	55	38	16	24	40	73	59	30
20x1/2"	15020Z0201	52	20	72	46	18	34	52	90	75	55
20x3/4"	15020Z0202	52	20	72	46	18	34	52	90	75	55
25x3/4"	15025Z0202	61	22	83	52	19	40	59	104	85	70
25x1"	15025Z0203	61	22	83	52	21	40	61	104	87	75
32x3/4"	15032Z0202	66	26	92	64	19	34	53	117	86	100
32x1"	15032Z0203	66	26	92	64	22	39	61	117	93	110
*40x1 1/4"	15040Z0204	75	31	106	78	25	45	70	136	109	210
*40x1 1/2"	15040Z0205	75	31	106	78	26	48	74	136	115	225
*50x1 1/4"	15050Z0204	97	38	135	94	29	56	85	165	132	345
*50x1 1/2"	15050Z0205	97	38	135	94	25	60	85	165	134	360
*50x2"	15050Z0206	97	38	135	94	27	59	86	171	134	395
*63x1 1/2"	15063Z0205	111	45	156	113	26	79	105	191	162	505
*63x2"	15063Z0206	111	45	156	113	35	72	107	199	162	545
*75x2"	15075Z0206	128	37	165	128	33	76	109	211	175	710
*75x2 1/2"	15075Z0207	128	37	165	128	31	75	106	217	171	745
*75x3"	15075Z0208	128	37	165	128	34	74	108	220	174	775

* With stainless steel ring

Grip Ring

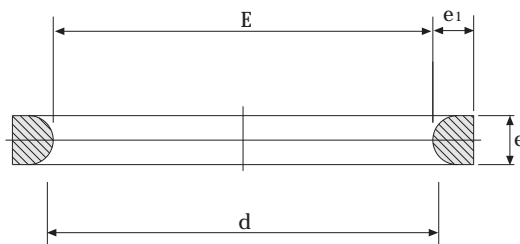


Cat.No	d	H	E	Wgr
15016H0610	16	26	25	2.5
15020H0610	20	25	32	4.5
15025H0610	25	27	37	5.6
15032H0610	32	32	46	9.5
15040H0610	40	36	55	15
15050H0610	50	46	70	31
15063H0610	63	52	83	49
15075H0610	75	61	97	66



Cat.No	d	H	E	Wgr
15090H0610	90	61	113	95
15110H0610	110	61	132	145

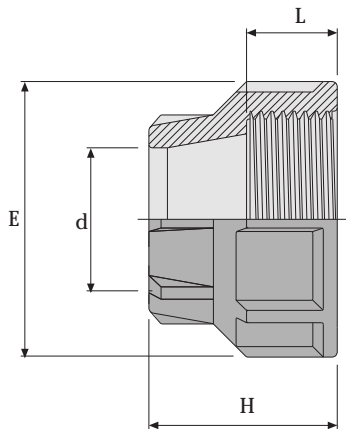
Fitting O - Ring " D " .



Cat.No	d	e	e1	E	Wgr
52016A0601	16	2.8	2.7	15.5	0.5
52020A0601	20	3.7	3.5	19.8	1.1
52025A0601	25	4.2	3.1	24.9	1.9
52032A0601	32	5.1	3.5	31.6	2
52040A0601	40	6.1	4.6	39.5	4
52050A0601	50	6.6	5.4	49.6	7
52063A0601	63	7.1	5.9	62.4	10
52075A0601	75	7.7	6.2	74.7	15
* 52090A0601	90	8.0		89	20
* 52110A0601	110	9		108	30

* "O" profile

Coupling Nut



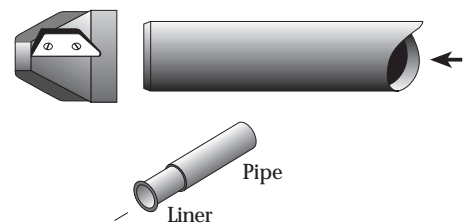
Cat.No	d	L	H	E	Wgr
15016H0510	16	17.5	33.5	38	10
15020H0510	20	20	38	46	15
15025H0510	25	22	42	52	20
15032H0510	32	25	50	64	40
15040H0510	40	26	54	78	70
15050H0510	50	33	70	94	115
15063H0510	63	40	80	113	170
15075H0510	75	40	88	128	230
15090H0510	90	55	124	154	430
15110H0510	110	82	166	182	880

Plassim Compression Fitting

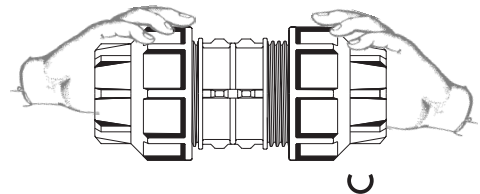
Installation Instructions for diameters 16 - 75 mm

- 1** Bevel the pipe end.
Ask your supplier for Plassim's Chamfering tool

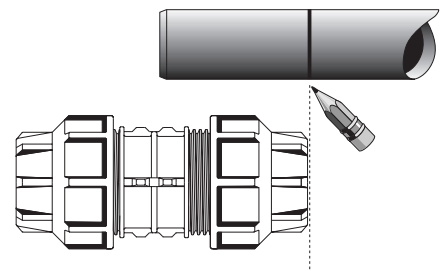
a. 1
(UK) Insert the correct liner into the pipe



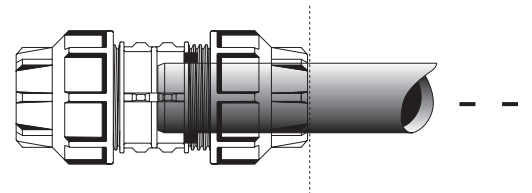
- 2** Release the Coupling Nut almost to the end of the thread but do not remove.



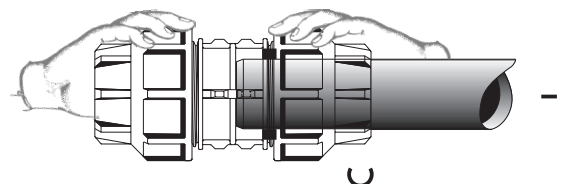
- 3** Mark the insertion depth on the pipe.



- 4** Push the pipe into the fitting, until it reaches the internal edge stopper, beyond the D Ring (the mark on the pipe should reach the nut).

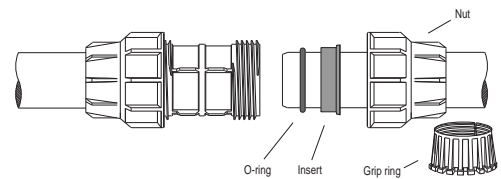


- 5** Tighten the Nut manually.

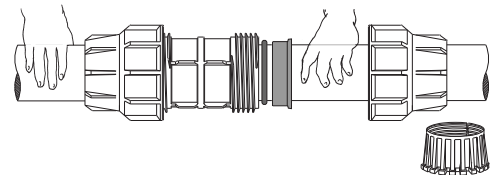


Instruction for Mounting the 90-110mm Fitting

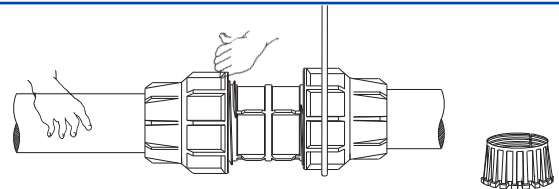
- 1** Unscrew the fitting. Leaving the grip ring a side, thread the nut, the insert and the O-ring on the pipe.



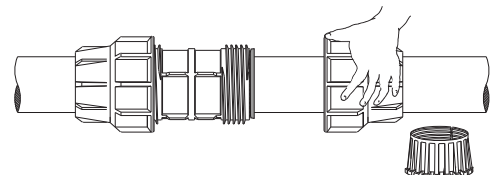
- 2** Push the pipe into the fitting until it reaches the internal edge stopper. Advance the O-ring and the insert towards the body of the fitting.



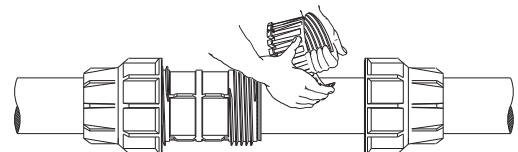
- 3** Tighten the nut until it reaches the end of the thread, using a suitable wrench.



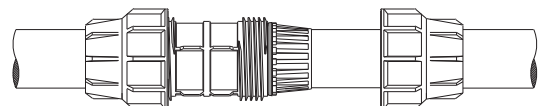
- 4** Unscrew the nut and remove it from the body of the fitting.



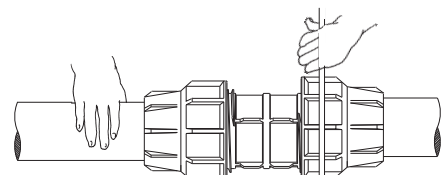
- 5** Open the grip ring and place it on the pipe, next to the insert.



- 6** The fitting is now ready for final tightening.



- 7** Tighten the nut, using a wrench.



Hydrostatic strength curves for hot and cold water installation
 Polypropylene Block Copolymer For Plassim C.F.

